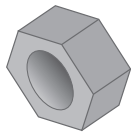
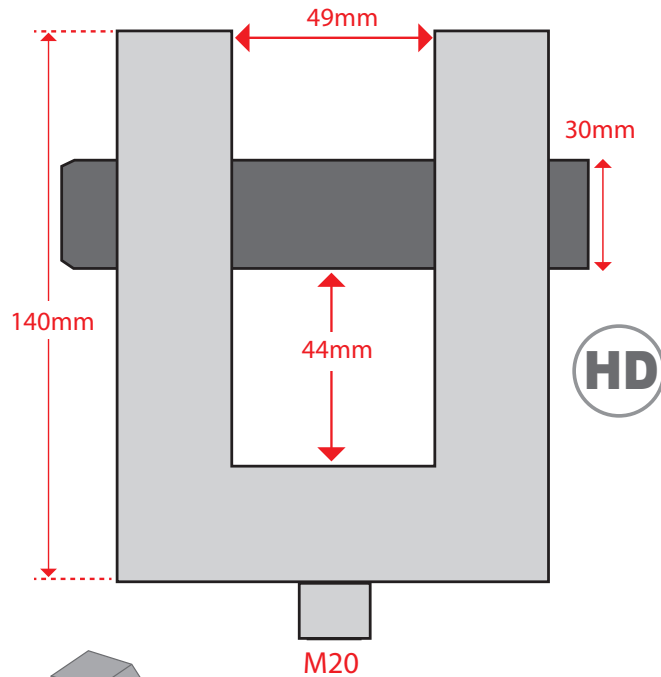


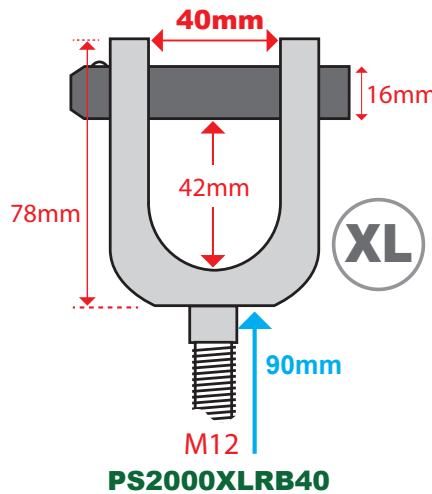
## Model 2008 / Hydraulic M20 HEAVY DUTY CLEVIS



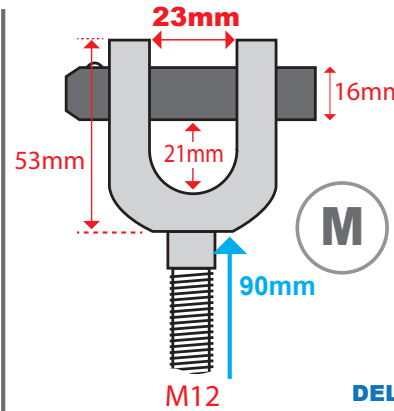
Supplied with  
M20 Hex Nut Full.

**PSHDRB49**  
(Rated to **145kN** max)

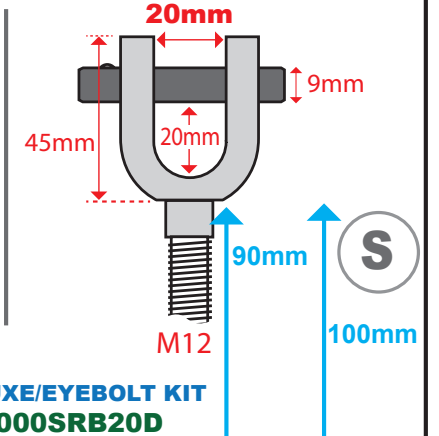
## Model 2000 Range M12 RINGBOLT ADAPTOR CLEVIS



**PS2000XLRB40**  
(Rated to **50kN** max)



**PS2000MRB23**

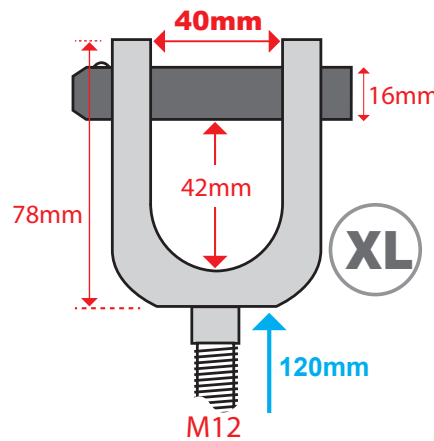


**DELUXE/EYEBOLT KIT  
PS2000SRB20D**

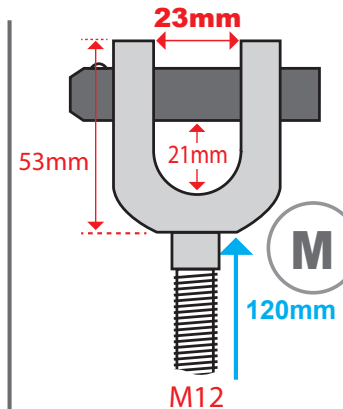
**SCAFFOLD KIT  
PS2000SRB20S**

(Rated to **25kN** max)

## Model 2050 Range M12 RINGBOLT ADAPTOR CLEVIS



**PS2050XLRB40**  
(Rated to **50kN** max)



**PS2050MRB23**

### Key:

- 90mm = Threadpiece length
- PSBRT** = Product Code
- Scaffold** = Tester Model