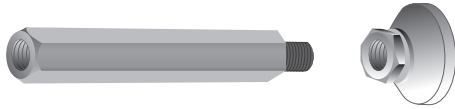


Fitting Hydrajaws Hex Extension legs

Different Hex Extension leg arrangements

Regular



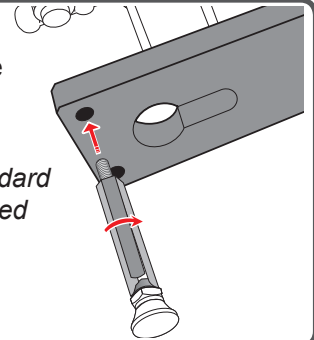
These screw onto the regular legs on the Model 2000 bridge (see below).

Deluxe



These screw into the bridge directly.

Existing feet on standard bridge can be removed and used if required (see below).



Eyebolt/Scaffold



How to fit the Regular extension legs

1. First unscrew the foot from the existing leg (**fig 1 & 2**) (This may be tight and require a spanner).
2. Screw the foot to the extension leg (**fig 3**). Ensure it is fully engaged.
3. Screw the extension leg onto the exposed thread on the bridge (**fig 4**).
4. Ensure the extension leg is screwed on all the way up to the bridge and is flush against it (**fig 5**).
5. Repeat for the other two legs.

Fig 1

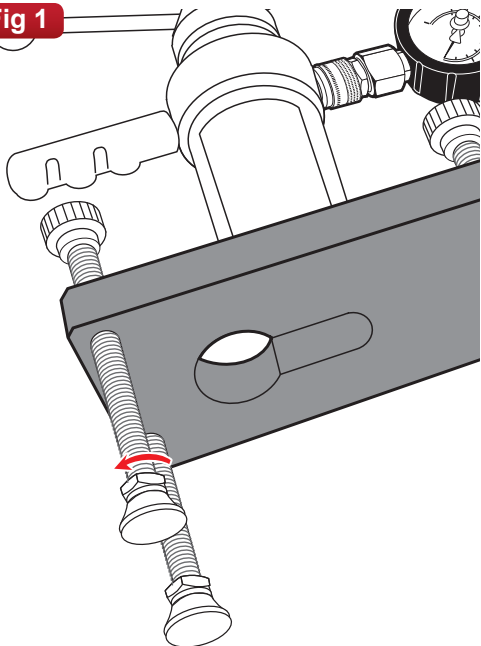


Fig 2

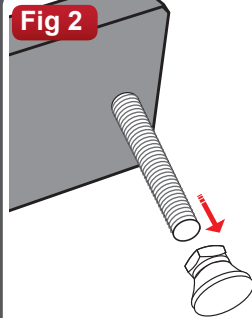


Fig 3

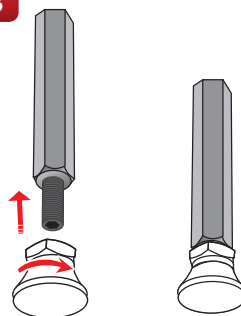


Fig 4

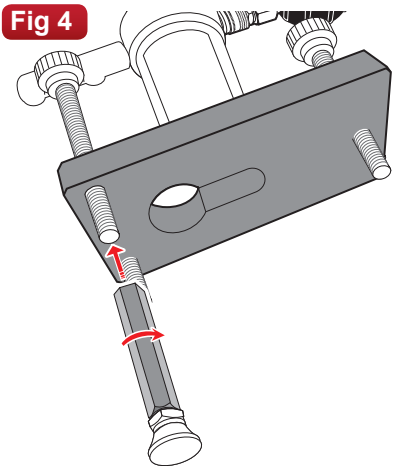


Fig 5

