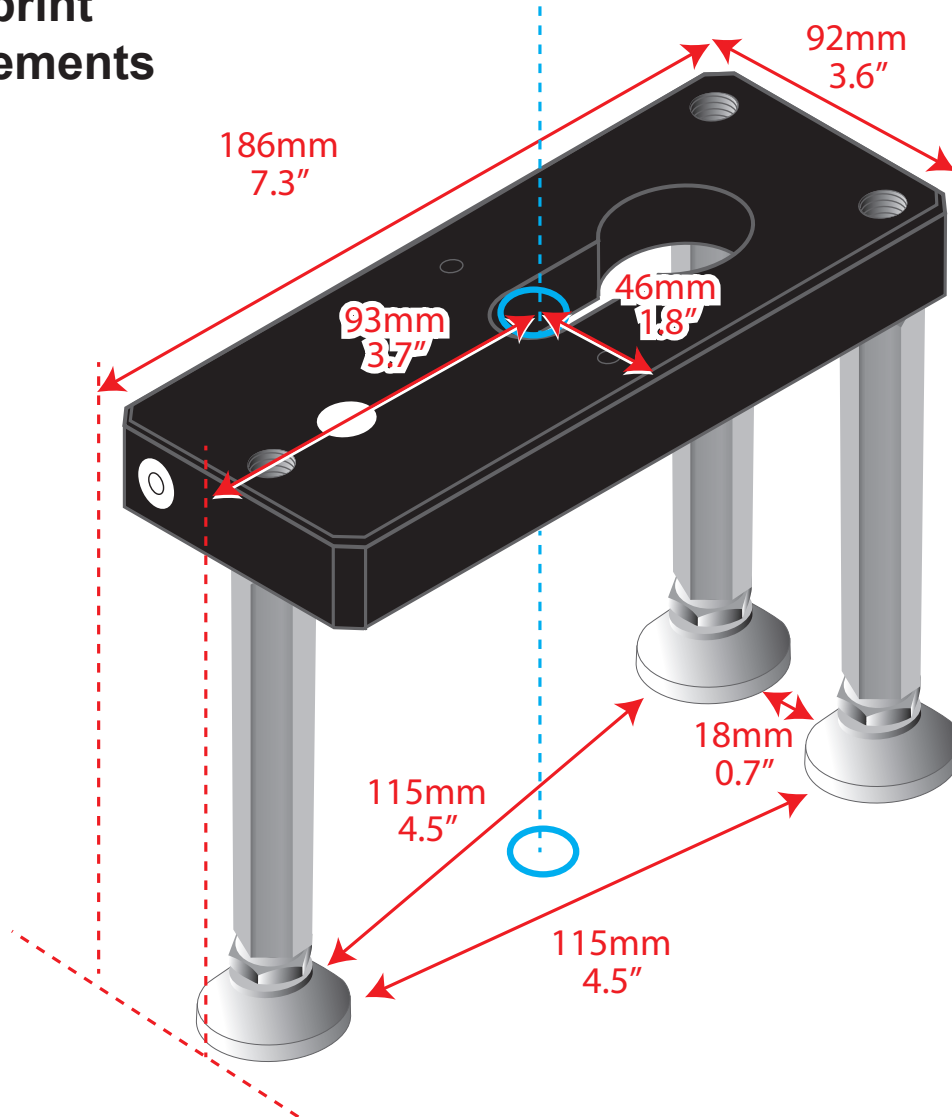


Model 2000

HANDHELD TESTER



Footprint Measurements



For example:

Min distance from
centre of fixing to
wall is 46mm(1.8")

Tester legs
&
Tester body

