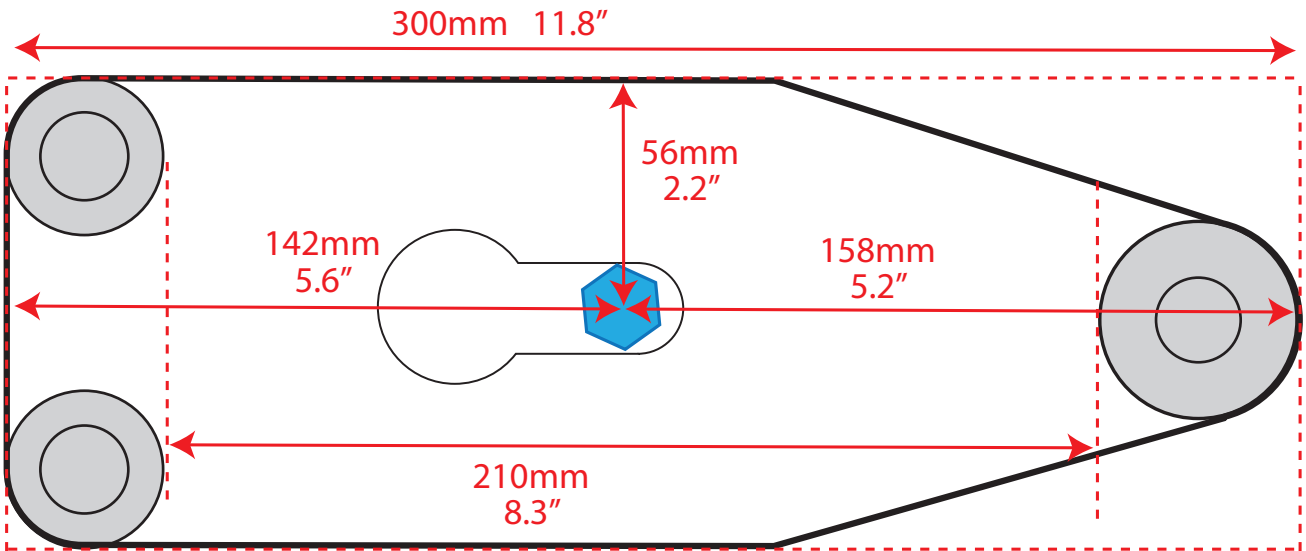
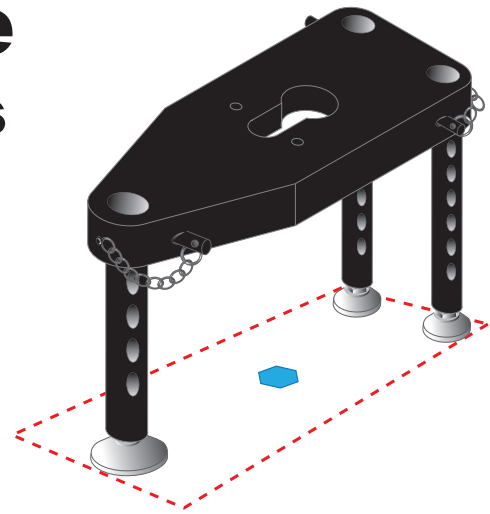
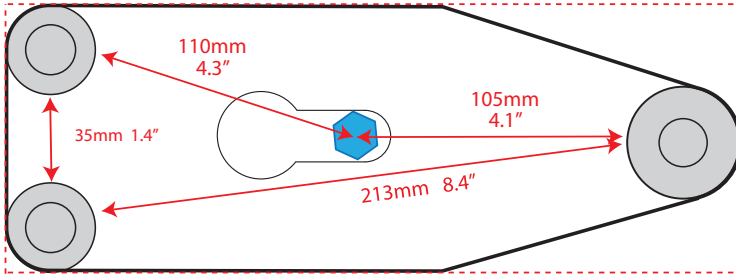


Model 2050 Bridge Footprint measurements



For example:

Min distance from
centre of fixing to
wall is approx.
58mm(2.3")

Tester legs
&
Tester body

