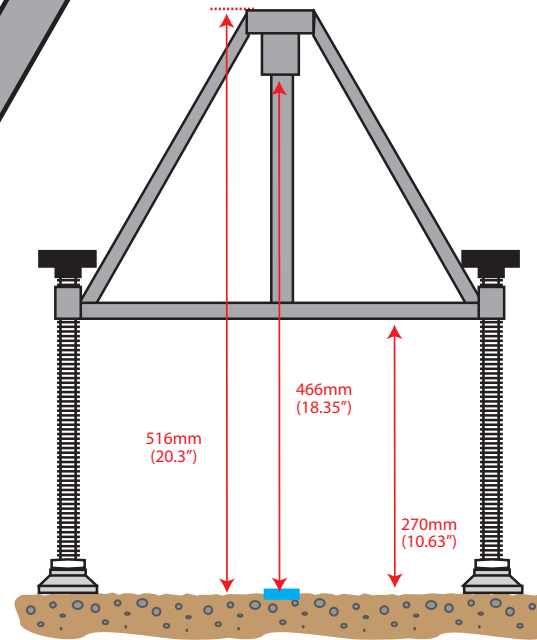
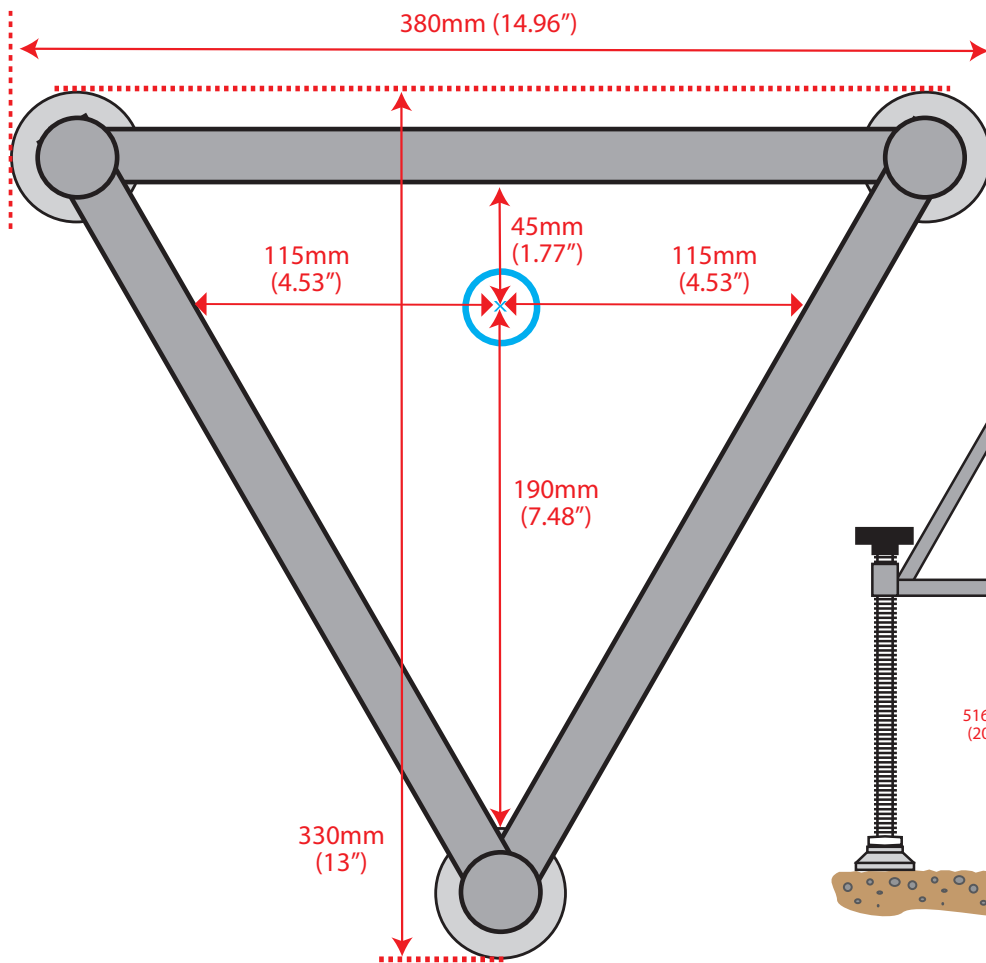
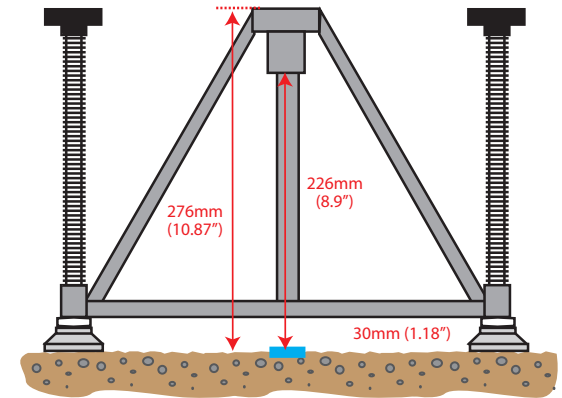


Pyramid Stool Load Spreading Bridge Footprint



MAX



MIN